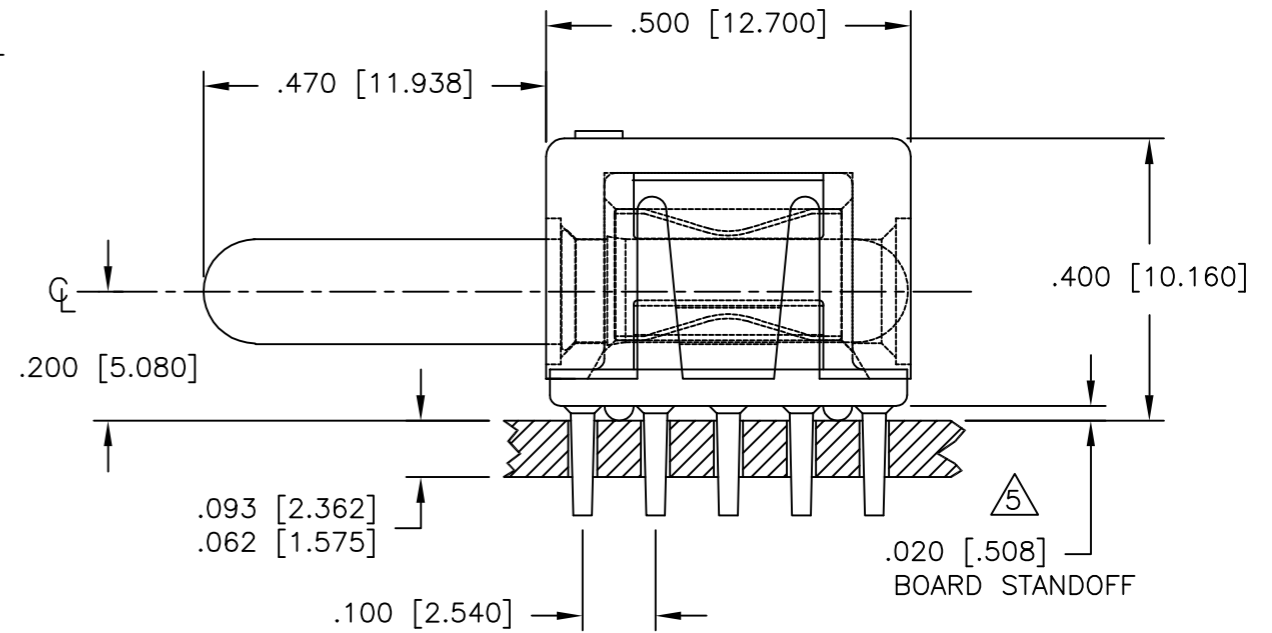
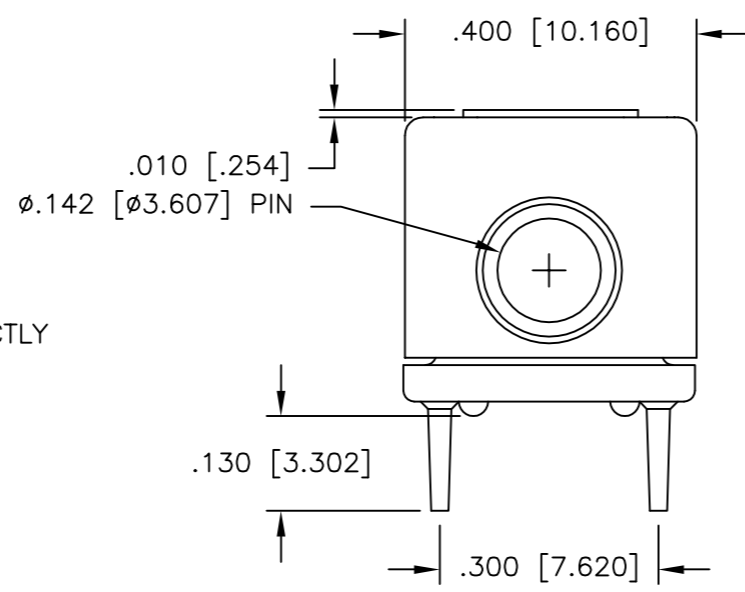
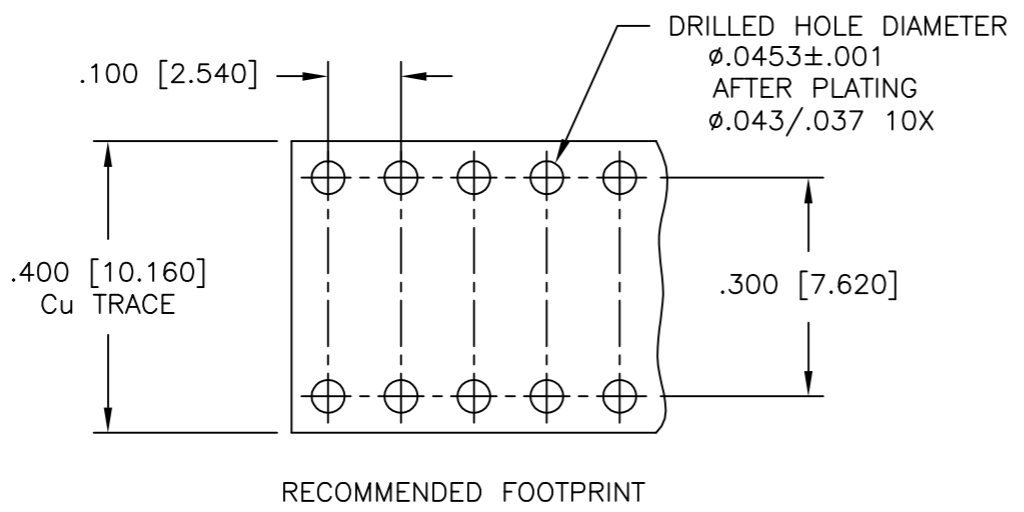


This drawing involves proprietary design rights of Tyco Electronics Corporation, and all design, manufacture, reproduction, use and sale rights regarding the same are expressly reserved. It is submitted for a specific purpose and the recipient by accepting this drawing, assumes custody and control and agrees to take reasonable precautions; (a) that this drawing will not be copied and reproduced, in whole or in part, or its contents revealed in any manner, or to any person except to meet the purpose for which it was delivered and (b) that any special features peculiar to this design will not be incorporated in other projects without the expressed written permission of Tyco Electronics Corporation.



REVISIONS			
EC	REV	DESCRIPTION	DATE
CPR	A	NEW RELEASE	10/13/05
---	A1	ADDED DIM .130, .200, .400 & .010	11/15/05

6. REFERENCE TYCO PART NUMBER 6643281-1.

5. A FIVE-POUND (5 lbs) FORCES REQUIRED TO CORRECTLY SEAT THE CONNECTOR WITH PLATED THROUGH HOLES LESS THAN 0.040 INCH.

4. FINISH:
 INSULATOR - AS MOLDED, COLOR-BLACK.
 MODULE - SILVER PLATED
 CROWN - GOLD PLATED
 CONTACT - SILVER PLATED

3. MATERIAL:
 INSULATOR - POLYESTER, GLASS FILLED, UL 94 V-0
 MODULE - METAL CASTING
 CROWN - BECU
 CONTACT - BRASS

2. ITEMS PROVIDED TO THIS SPECIFICATION SHALL BE IDENTIFIED ON CONTAINER WITH THE FOLLOWING INFORMATION: PART NUMBER AND DATE CODE OF MANUFACTURE.

1. PART NUMBER CHANGES AND/OR DESIGN CHANGES AFFECTING ITEM INTERCHANGEABILITY REQUIRE PRIOR TYCO APPROVAL AND AUTHORIZATION BY REVISION TO THIS DRAWING.

NOTES: UNLESS OTHERWISE SPECIFIED

INCH OR INCH (MM) THIRD ANGLE PROJECTION UNLESS OTHERWISE SPECIFIED DIMENSIONS ARE IN INCHES (METRIC) TOLERANCES ANGLES ± .5° DECIMALS .XXX ± .010 (.25) .XX ± .02 (.3)	DRAWN LOVATO/M. ALIM CHECKED	DATE 10/13/05	 Tyco Electronics Corporation Menlo Park, Ca 94025 	TITLE ICCON PIN, PARALLEL SOLDER, NON-LOCKING STYLE PN 6643281-1	
	APPROVED APPROVED D. CHAU DCA APPROVED M. ALIM ACAD FILE NUMBER C6643281A1.DWG	11/15/05 11/15/05		SIZE B	DWG NUMBER C= 6643281
	DWG SCALE 4=1			SH 1 OF 1	